

COSTER

HYDRA SPRAY CAP FOR HOUSEHOLD PRODUCTS

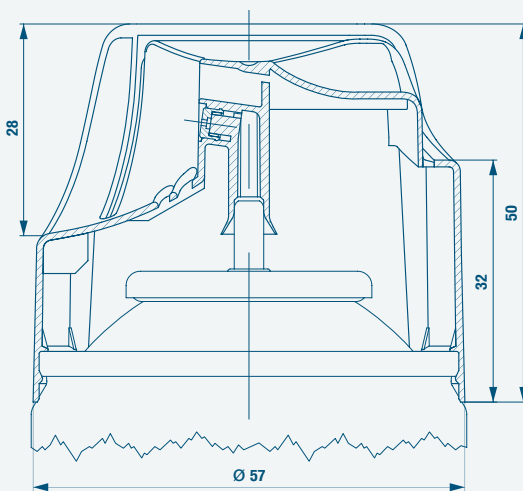


www.coster.com

HYDRA SPRAY CAP



V17.74

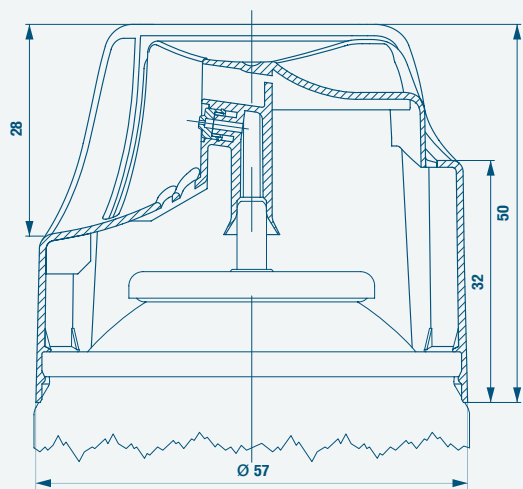


HYDRA SPRAY CAP FOR PRESS DOWN VALVES WITH STEM Ø 3.9

V17.74: *Hydra* spray cap with micromist insert; suitable for necked-in Ø 57 mm tin plate cans. Can use all Coster micromist inserts.



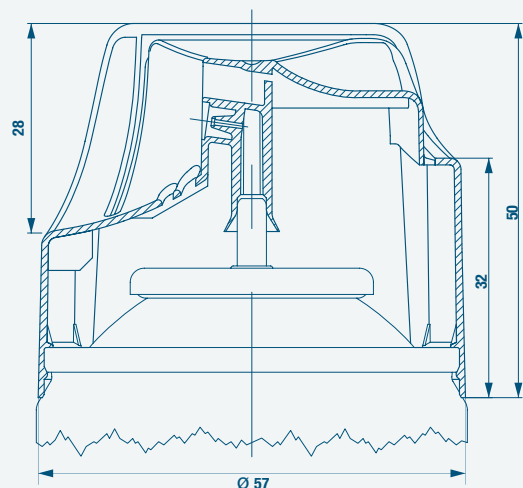
V17.66



V17.66: *Hydra* spray cap with directional insert; suitable for necked-in Ø 57 mm tin plate cans. Can use all Coster directional inserts.



V18.75



V18.75: *Hydra* spray cap without insert, for directional spray (Ø orifice: 0.7 mm); suitable for necked-in Ø 57 mm tin plate cans. For insecticide sprays.



HYDRA SPRAY CAP FOR INSECTICIDES AND HOUSEHOLD PRODUCTS

Hydra spray cap has been specifically developed for household and insecticide products.

It is produced in a wide range of colours.

Hydra is available in two versions: two-piece (with micromist or directional insert) and single-piece (with directional hole).